

SINGLE-ACTING CYLINDERS WITH EXTERNAL THREADED BODY AND EXTENDED PISTON ROD SERIES 31



Clamping cylinders with external threaded body and four holes for anchoring fixtures at the front. The piston rod is partially threaded inside. The force is developed during thrust. Can only be used with oil. They come in 4 standard models.



APPLICATIONS

Due to their considerable force, they are used in the construction of tools for machine tools and/or NC machines. Can be mounted in any position, individually or in series.

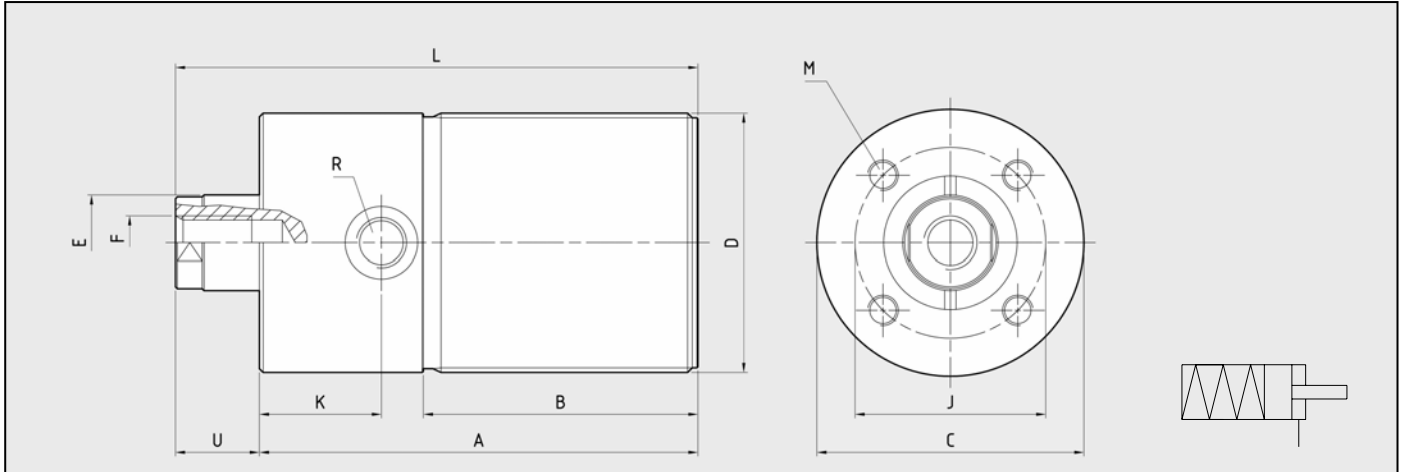
KEY TO CODES

Z52	31	68	57	25
	SERIES	THREADED OUTSIDE DIAMETER	BORE	STROKE (mm)
	31	36	28	10
		48	37	25
		68	57	
		83	70	10

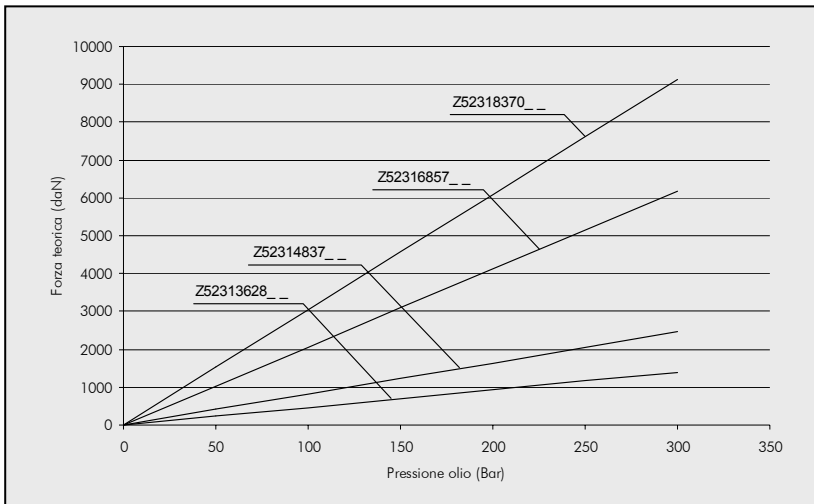
SINGLE-ACTING CYLINDERS WITH EXTERNAL THREADED BODY AND EXTENDED PISTON ROD SERIES 31



CHARACTERISTICS AND DIMENSIONS



ITEM CODE	FORCE (daN)		SURFACE AREA (cm ²)	VOLUME (cm ³)	STROKE (mm)	DIMENSIONS (mm)											
	150 BAR	300 BAR				A	B	C	D	E	F	K	J	L	M	U	R (Oil inlet)
Z5231362810	690	1390	4.65	4.65	10	85	45	36	M36x1.5	14	M8	28	28	105	M6x10	21	1/8G
Z5231483725	1230	1965	8.20	20.20	25	100	70	48	M48x1.5	18	M10	25	37	135	M8x12	35	
Z5231685725	3090	4945	20.61	38.50	25	120	75	70	M68x2	25	M14	32	50	150	M8x15	40	1/4G
Z5231837010	5770	9235	30.44	51.50	10	115	70	85	M83x2	32	M22	34	65	135	M10x20	20	



FORCE/PRESSURE DIAGRAM
SERIES 31